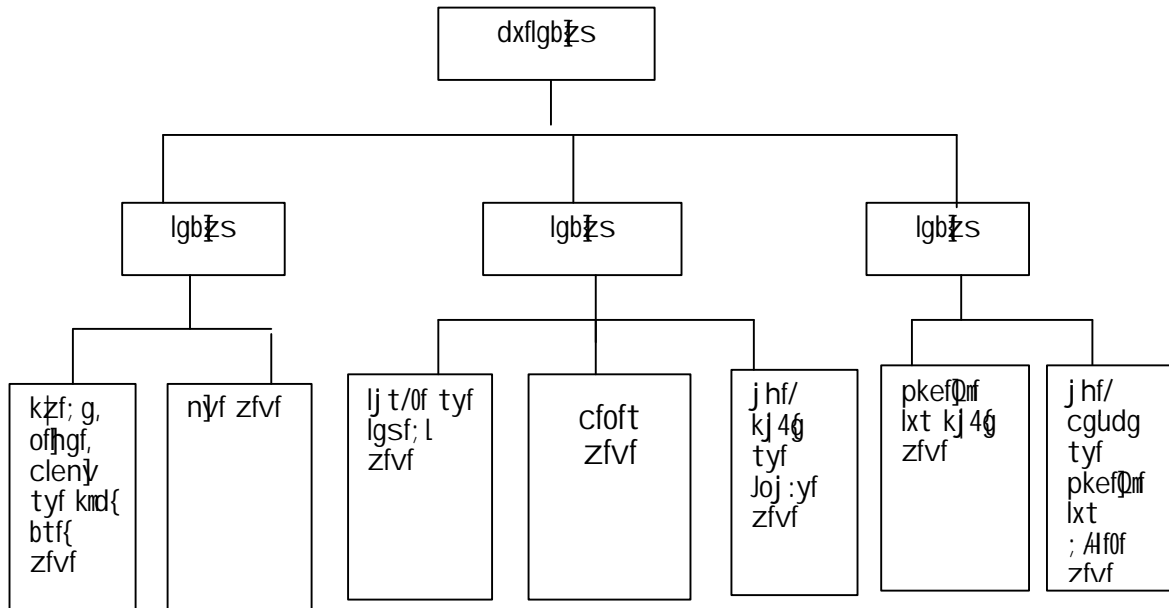


ljefusf]; u7g ; Argf

o; ljefudf /fhkqflst !! / /fhkq cglst #) u/l sh \$! hgfsf]:yfol b/j Gbl :jlsf u/l sfo{ #fng e} cfPsf] 5 . o; ljefusf] jt(fg sfo{ ; #fngsf cfwf/df ; u7gffds :j?k lgDfgf; f/sf]5 .



j flffho ljefusf]:jlsf b/j Gbl tfnlsf

qm; =	kbsf]gfd	>Qfl	hDdf
!=	dxflgbzs	/f-k=kyd, k+	!
@=	pklgbs	/f-k=la=, k+	#
#=	zfvf clwsf ÷ nyf clwsf	/f-k=t+ k+	&
\$=	gf=; ÷n}kf=	/f-k=cg=k+, k+	!@
%=	vl/bf/÷; -n}kf=	/f-k=cg=la+, k+	%
^=	6f0lki6	/f-k=cg=k+, k+	%
&=	; j f/l rfns	>Qfl lj lxg	!
*=	lkog	>Qfl lj lxg	&
	hDdf		\$!